

# Mi-T-M<sup>®</sup> CORPORATION

8650 Enterprise Drive, Peosta IA 52068

563-556-7484 / Fax 563-556-1235

## PARTS LIST FOR ***JCW-2504-0MHB/0MVB***

### ENGINE OIL GRADE:

HONDA:

SAE 10W/30

VANGUARD:

Above 40°F=SAE30

Below 40°F=SAE10W-30

### ENGINE OIL CAPACITY:

HONDA:

37.1 oz.

VANGUARD:

40 oz.

### PUMP OIL GRADE:

Mi-T-M #AW-4085-0016

### PUMP OIL CAPACITY:

16 oz.

### PRESSURE NOZZLE:

4.5

This Parts Listing has been compiled for your benefit. You can be assured your Mi-T-M pressure washer was constructed and designed with quality and performance in mind using over 25 years experience in the pressure washer business. Each component has been rigorously tested to insure the highest level of acceptance.

The contents of this Parts Listing are based on the latest product information available at the time of publication. Mi-T-M reserves the right to make changes in price, color, materials, equipment, specifications or models at any time without notice.

### **WARNING**

**THIS IS A PROFESSIONAL HIGH PRESSURE, PRESSURE WASHER. CAUTION SHOULD BE OBSERVED WHEN USING OR REPAIRING THIS UNIT! READ AND FOLLOW THE SAFETY WARNINGS LISTED BELOW BEFORE ATTEMPTING ANY REPAIRS ON THIS PRESSURE WASHER!**

### **SAFETY WARNINGS**

1. NEVER alter or modify the equipment. Be sure any accessory items and system components being used will withstand the pressure developed. Use only genuine Mi-T-M parts for repair of your pressure washer. Failure to do so can cause hazardous operating conditions and will VOID warranty.
2. NEVER make adjustments on machinery while the unit is connected to the engine without first removing the ignition cables from the spark plugs. Turning over the machinery by hand during adjustment or cleaning might start the engine and machinery with it, causing serious injury to the operator.
3. Know how to stop and bleed pressures quickly. Be thoroughly familiar with controls.
4. Before servicing the unit, turn unit off, relieve the water pressure and allow the unit to cool down. Do not make repairs while the unit is running. Service in a clean, dry, flat area. Block the wheels to prevent the unit from moving. Be especially careful to properly dispose of any flammable materials.
5. After testing the machine, DO NOT leave the pressurized unit unattended. Shut off the unit and release trapped pressure before leaving.

### **Table of Contents**

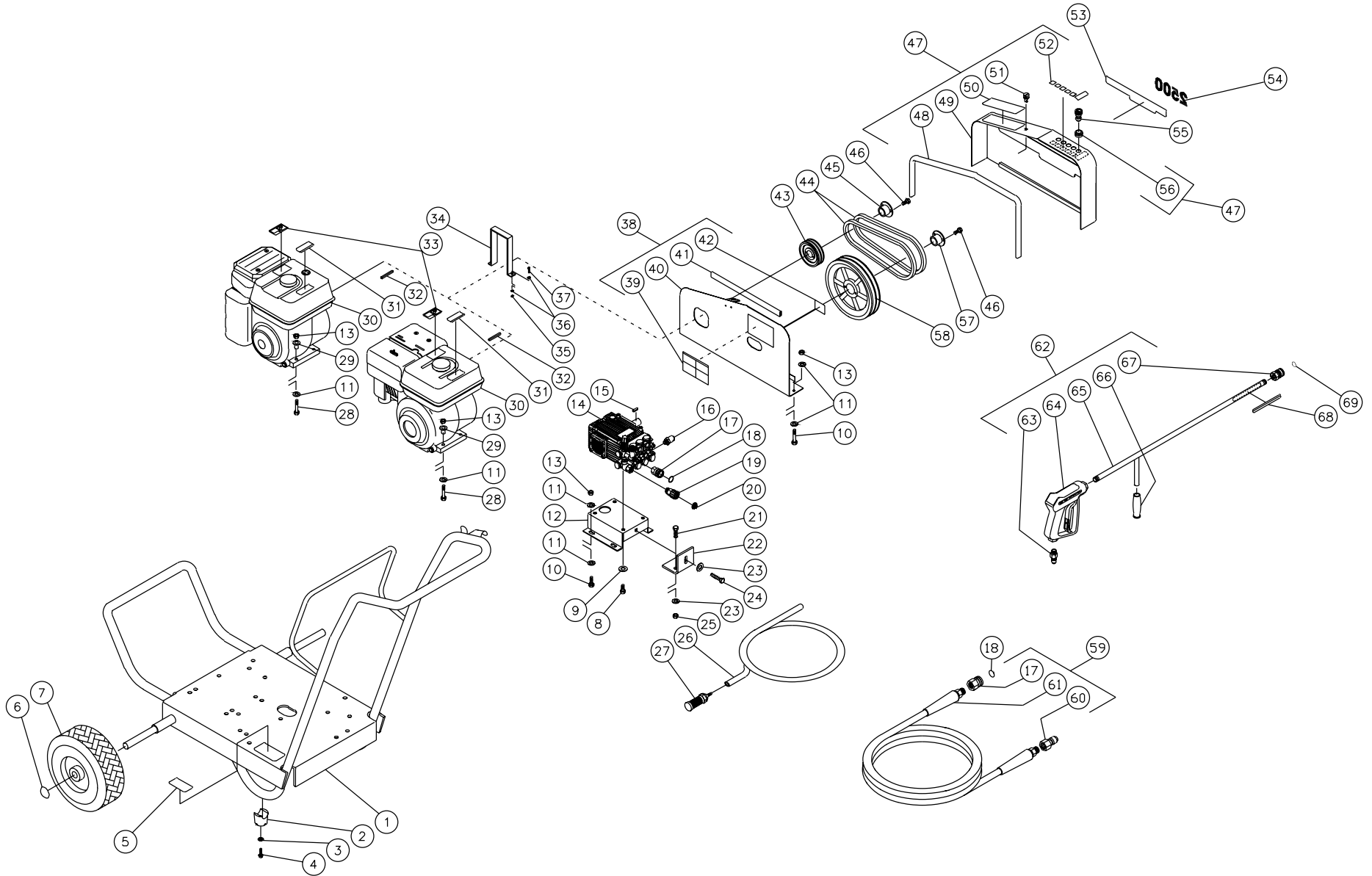
<b>SPECIFICATIONS .....</b>	<b>3</b>
<b>FRAME ASSEMBLY .....</b>	<b>4</b>
<b>PUMP ASSEMBLY (3-0150) .....</b>	<b>6</b>
<b>GUN ASSEMBLY (16-0001) .....</b>	<b>8</b>
<b>NOTES .....</b>	<b>10</b>

## SPECIFICATIONS

JCW-2504-0MHB/0MVB

MODEL NUMBER	JCW-2504-0MHB	JCW-2504-0MVB
<b>Operating Pressure (PSI/Bar):</b>	2500/172	
<b>High Pressure Nozzle:</b>	4.5	
<b>Water Volume (GPM/lpm):</b>	3.6/13.6	
<b>Engine:</b>	Honda	B & S Vanguard
Horsepower	9.0	9.0
Engine Type	4 Stroke, Overhead Valve, Single Cylinder	
Oil Type	SAE 10W 30	Above 40 F=SAE30/Below 40 F=SAE 10W 30
Oil Capacity (oz./liters)	37.1/1.1	40/1.2
Low Oil Protection	Oil Alert	Oil Guard
Fuel Type	Unleaded Gasoline 86 Octane Minimum	
Fuel Capacity (gallon/ liters)	1.6/6.0	1.6/6.0
Starting	Recoil	
Maximum No Load RPM	3600 (+/- 100) RPM	
<b>Pump:</b>	Belt Driven, Oil Bath, Triplex Piston	
Oil Type	Mi-T-M Pump Oil #AW-4085-0016	
Oil Capacity (oz./liters)	16/47	
Plungers	Ceramic	
Manifold	Forged Brass	
Valves	Stainless Steel	
Unloader	Adjustable	
Heat Dump Valve	Relieves heated water during unloader bypass stage	
Detergent Injector	Adjustable low pressure down stream from pump	
<b>Unit Net Weight (Lbs/kg)</b>	140/64	151/68
<b>Unit Shipping Weight (Lbs/kg)</b>	203/92	205/93
<b>Unit Net Dimension (In/cm)</b>	42L x 26W x 26H/107L x 66W x 66H	
<b>Unit Shipping Dimension (In/cm)</b>	48L x 30W x 34H/122L x 76W x 86H	

# FRAME ASSEMBLY

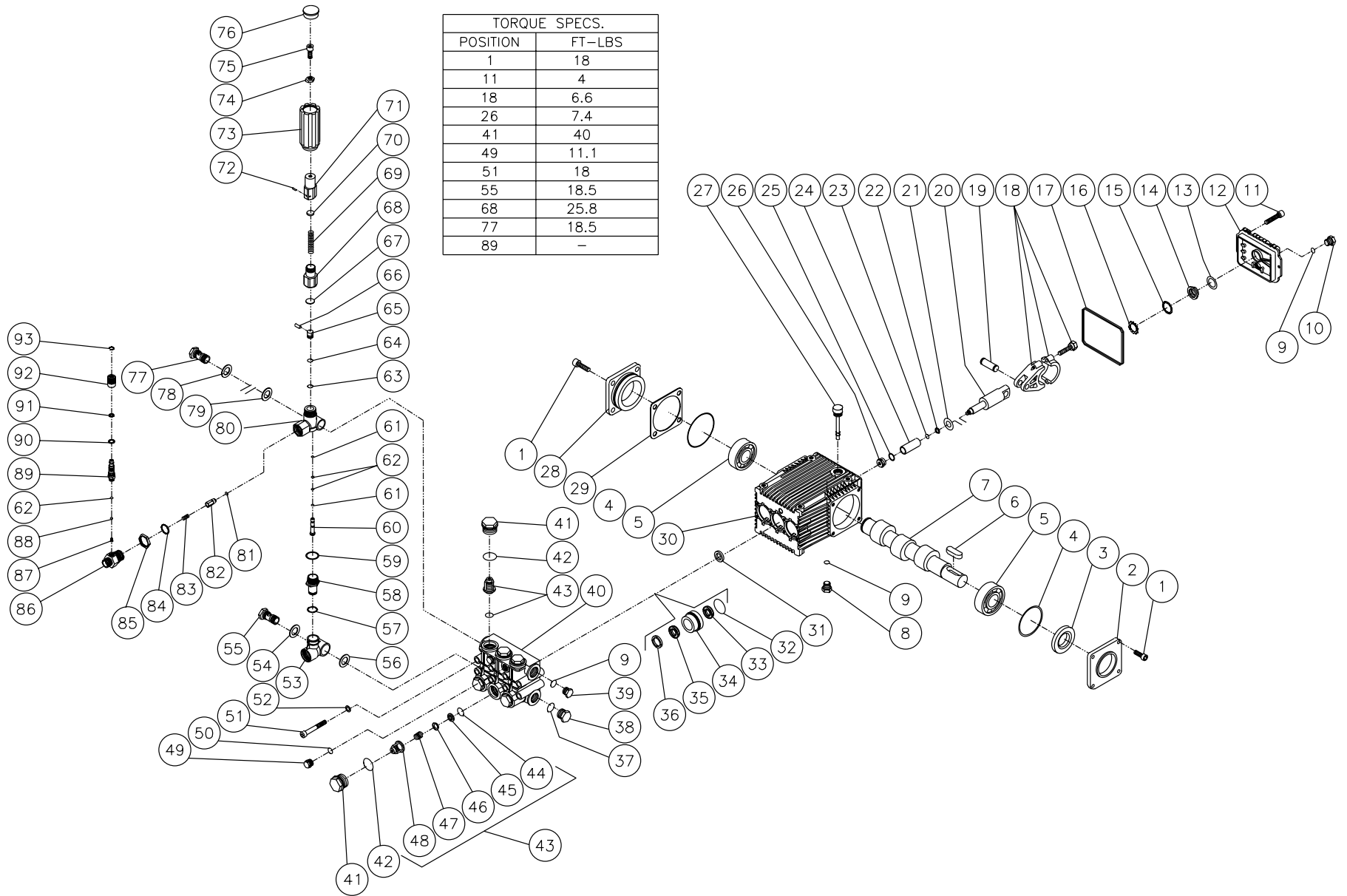


JCW-2504-0MHB/VB-082401-DLG

FRAME ASSEMBLY											
REF #	DESCRIPTION	PART #	QTY	REF #	DESCRIPTION	PART #	QTY	REF #	DESCRIPTION	PART #	QTY
1	Frame Assembly	5-0129A01	1	26	Detergent Hose *(Four Feet Required)	15-0021	1	50	Decal- Operating Instructions (E/S)	34-0813	1
2	Isolator	14-0066	2	27	Detergent Strainer	19-0050	1	51	Fastener	34-0500	1
3	Washer	28-0021	2	28	Bolt	27-0070	4	52	Decal- White Die Cut Nozzles	34-0500	1
4	Screw	27-3096	2	29	Engine Shim	33-0169	4	53	Decal- Beltguard Job Pro	34-0777	1
5	Decal- Data Plate	N/A	1	30	Engine- 9 H.P. Honda	1-0065	1	54	Decal- White Die Cut 2500 PSI	34-0773	1
6	Hubcap	33-0018	2	-	Engine- 9 H.P. Vanguard	1-0070	1	55	Spray Nozzle- 0004.5	18-0033	1
7	Wheel	14-0017	2	31	Decal- Caution: Allow to Cool (E/S)	34-0599	1	-	Spray Nozzle- 1504.5	18-0039	1
8	Bolt	27-8884	4	32	Key	43-0078	1	-	Spray Nozzle- 2504.5	18-0060	1
9	Washer	29-0054	4	33	Decal- Warning: Muffler Hot (E/S)	34-0598	1	-	Spray Nozzle- 4004.5	18-0065	1
10	Bolt	27-0067	7	34	Bracket	6-0054A01	1	-	Spray Nozzle- 6540	18-0148	1
11	Washer	28-0003	18	35	Locknut	30-0155	2	56	Grommet	33-0001	5
12	Pump Bracket	5-0130A01	1	36	Washer	28-0002	4	57	Bushing	9-0017	1
13	Locknut	30-0157	11	37	Bolt	27-0015	2	58	Sheave	10-0035	1
14	Pump	3-0150	1	38	Beltguard Back Assembly (Inc. 39-42)	851-0312	1	59	High Pressure Hose Assembly (Inc. 17, 60, 61)	851-0007	1
15	Key	46-0601	1	39	Decal- Warning/Caution (E/S)	34-0812	1	60	Quick Connect Plug	17-0006	1
16	Heat Dump Valve	22-0005	1	40	Beltguard Back	N/A	1	61	High Pressure Hose	15-0003	1
17	Quick Connect Socket	17-0004	2	41	Edging *(Two Feet Required)	33-0020	1	62	Gun Assembly (Inc. 63-67)	851-0095	1
18	O-ring (Replacement Only)	25-0123	-	42	Decal- Warning: Beltguard in Place (E/S)	34-0826	1	63	Quick Connect Plug	17-0005	2
19	Garden Hose Swivel	23-0095	1	43	Sheave- Engine	10-0074	1	64	Gun	16-0001	1
20	Garden Hose Filter	19-0001	1	44	Belt	11-0023	2	65	Wand	16-0120A01	1
21	Bolt	27-0118	2	45	Bushing- Engine	9-0005	1	66	Grip	7-0002	1
22	Brace Tightener Bracket	13-0005A01	1	46	Bolt	27-0015	4	67	Quick Connect Socket	17-0001	1
23	Washer	28-0023	3	47	Beltguard Cover Assembly (Inc. 48-52, 56)	851-0313	1	68	Decal- Warning: Risk of Injection (E/S)	34-1253	1
24	Bolt	27-0576	1	48	Edging *(Three Feet Required)	33-0020	1	69	O-ring (Replacement Only)	25-0122	-
25	Locknut	30-0159	2	49	Beltguard Cover (See 851-0313)	N/A Sep.	1	*Must Order in One Foot Lengths			

# PUMP ASSEMBLY (3-0150)

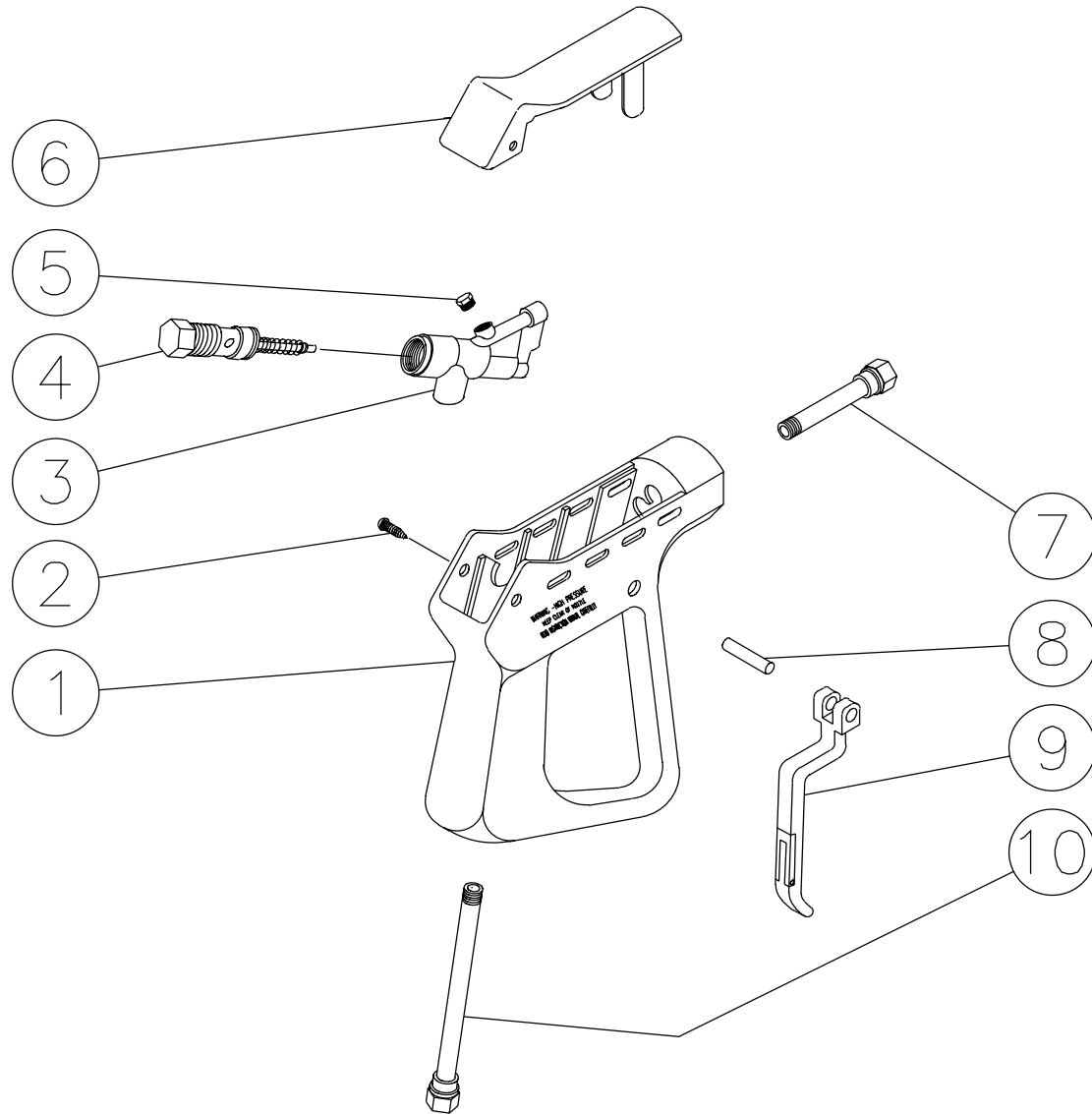
TORQUE SPECS.	
POSITION	FT-LBS
1	18
11	4
18	6.6
26	7.4
41	40
49	11.1
51	18
55	18.5
68	25.8
77	18.5
89	-



3-0150-070201-RD

PUMP ASSEMBLY (3-0150)											
REF. #	DESCRIPTION	PART #	QTY.	REF. #	DESCRIPTION	PART #	QTY.	REF. #	DESCRIPTION	PART #	QTY.
1	Bolt	27-8884	8	34	Packing Retainer	46-0708	3	68	Guide Spring	8-0474	1
2	Shaft Cover	46-0691	1	35	V-Packing (See 70-0177)	N/A Sep.	3	69	Spring	49-0132	1
3	Oil Seal	26-0188	1	36	Support Ring (See 70-0178)	N/A Sep.	3	70	Spring Button	8-0475	1
4	O-Ring	25-0380	2	37	O-ring	25-0372	1	71	Adjustment Barrel	8-0476	1
5	Roller Bearing	48-0061	2	38	Plug	39-0088	1	72	Pin	8-0477	1
6	Key	43-0091	1	39	Plug	39-0086	1	73	Unloader Knob	7-0141	1
7	Crankshaft	46-0692	1	40	Manifold	46-0711	1	74	Nut	30-3025	1
8	Plug	39-0102	1	41	Valve Cap	39-0095	6	75	Bolt	27-8433	1
9	O-ring	25-0325	3	42	O-ring	25-0160	6	76	Cap	7-0142	1
10	Plug	39-0086	1	43	Single Valve Assembly (Inc. 44-48) (See 70-0319)	N/A Sep.	6	77	Adaptor	8-0448	1
11	Bolt	27-8885	6	44	O-ring	25-0386	6	78	Washer	8-0449	1
12	Crankcase Cover	46-0719	1	45	Valve Seat (See 70-0319)	N/A Sep.	6	79	Washer	8-0450	1
13	O-ring	25-0370	1	46	Valve Plate (See 70-0319)	N/A Sep.	6	80	Unloader Body	8-0451	1
14	Oil Sight Glass	46-0670	1	47	Valve Spring (See 70-0319)	N/A Sep.	6	81	O-ring	25-0437	1
15	Reflector	46-0824	1	48	Valve Cage (See 70-0319)	N/A Sep.	6	82	Check Valve	8-0454	1
16	Retainer	46-0671	1	49	Plug	39-0096	2	83	Spring	49-0123	1
17	O-ring	25-0398	1	50	O-ring	25-0387	2	84	O-ring	25-0372	1
18	Connecting Rod	46-0696	3	51	Bolt	27-8440	8	85	Tightener Nut	8-0497	1
19	Piston Pin	46-0698	3	52	Lockwasher	29-0154	8	86	Injector Adapter	8-0498	1
20	Plunger Rod	46-0699	3	53	Inlet Bypass Adaptor	8-0437	1	87	Detergent Injector Spring (See 70-0196)	N/A Sep.	1
21	Washer	46-0700	3	54	Washer	8-0440	1	88	Ball (See 70-0196)	N/A Sep.	1
22	Backup Ring	25-0404	3	55	Adaptor	8-0438	1	89	Barb	8-0499	1
23	O-ring	25-0382	3	56	Washer	8-0439	1	90	O-ring (See 70-0196)	N/A Sep.	1
24	Piston	46-0701	3	57	O-ring (See 8-0456)	N/A Sep.	1	91	O-ring (See 70-0196)	N/A Sep.	1
25	Washer	26-0191	3	58	Nipple	8-0441	1	92	Knob	7-0152	1
26	Nut	30-6020	3	59	O-ring (See 70-0179)	N/A Sep.	1	93	Snap Ring (See 70-0196)	N/A Sep.	1
27	Oil Dipstick	39-0090	1	60	Piston	8-0442	1		High Pressure Seal Kit (Inc. 3 each 32, 33, 35)	70-0177	
28	Bearing Cap/ Support	46-0703	1	61	Backup Ring (See 70-0180)	N/A Sep.	2		Support Ring Kit (Includes 3 each 36)	70-0178	
29	Shim (Quantity Varies 1-3)	46-0704	-	62	O-ring	25-0371	3		Valve Kit (Includes 6 each 44-48)	70-0319	
-	Shim (Quantity Varies 1-3)	46-0705	-	63	O-ring (See 70-0180)	N/A Sep.	1		Unloader Kit (Inc. 53-83)	8-0456	
30	Crankcase	46-0811	1	64	Backup Ring (See 70-0180)	N/A Sep.	1		Unloader Repair Kit (Inc. 57, 59, 61-64, 81)	70-0180	
31	Oil Seal	26-0190	3	65	Poppet	8-0443	1		Injector Kit (Inc. 62, 84-93)	70-0196	
32	O-ring	25-0384	3	66	Pin	8-0444	1		Oil Seals Kit (Inc. 3, 4, 17, 31)	70-0321	
33	Low Pressure Seal (See 70-0177)	N/A Sep.	3	67	Spring Button	8-0445	1		Piston Kit (Inc. 3 each 24)	70-0320	

# GUN ASSEMBLY (16-0001)





16-0001-110399-RD

<b>GUN ASSEMBLY (16-0001)</b>			
<b>REF. #</b>	<b>DESCRIPTION</b>	<b>PART #</b>	<b>QTY.</b>
1	Plastic Housing	16-0008	1
2	Screw	27-3230	2
3	Brass Housing	16-0012	1
4	Gun Repair Kit	70-0055	1
5	Brass Plug	39-0024	1
6	Plastic Cover	16-0009	1
7	Pipe Assembly	16-0013	1
8	Trigger Pin	16-0063	1
9	Trigger/Safety Lock-off	16-0010	1
10	Pipe Assembly- Inlet	16-0016	1
	Complete Gun Assembly	16-0001	1

---

NOTES

---

NOTES

